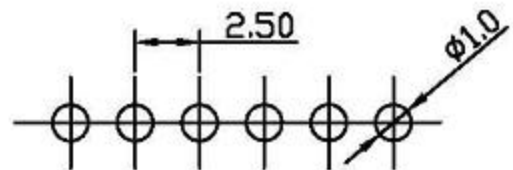
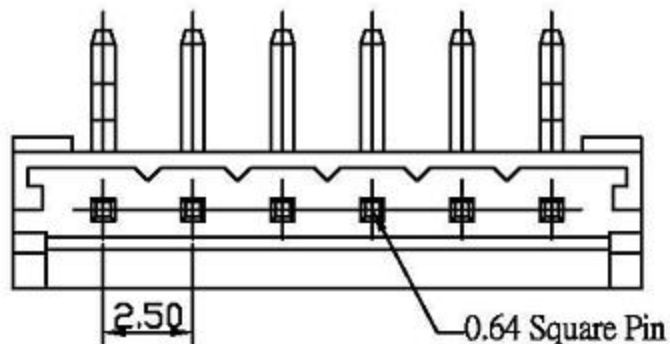


CUSTOMER COPY

REV.	DESCRIPTION	APP.	DATE
A	NEW DESIGN	Amos	2014-04-28



RECOMMENDED P.C. BOARD HOLE DIMM.

ORDER INFORMATION

1221 21 X XX X

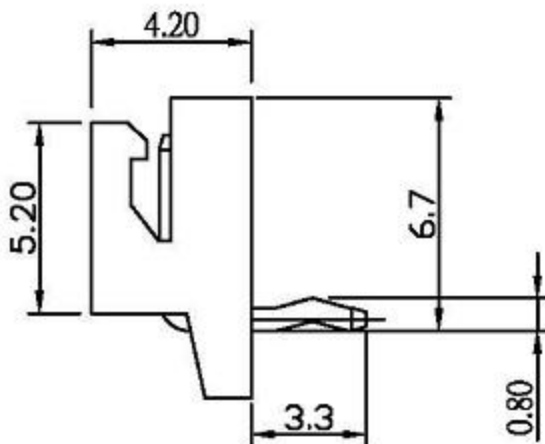
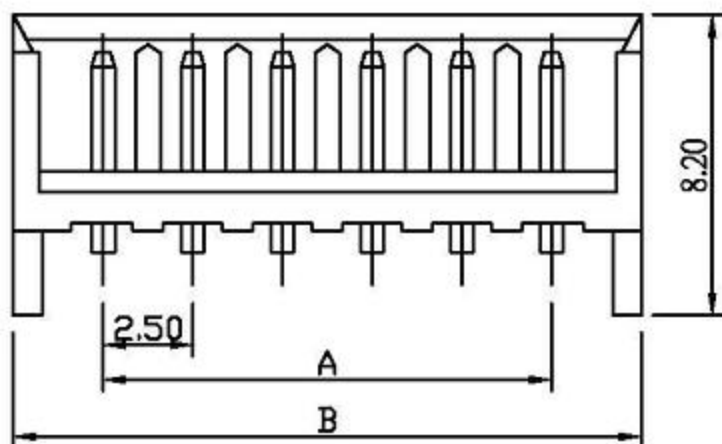
1:Plating Tin

No. of Contact

2:With Kink(RoHS)

3:Without Kink(RoHS)

90° DIP Type



SPECIFICATIONS

Electrical

Current Rating: 3A AC, DC

Voltage Rating: 250V AC/ max.

Operating Temp.: -25°C ~ +85°C

Insulation Resistance: 1000MΩ/ min.

Dielectric Withstanding Voltage: 800V AC/ min.

Contact Resistance: 10mΩ/ max.

Material

Terminal Material: Brass, Copper-Undercoated/  
Tin-Lead plated

Material: Nylon 66, UL94V-0

Poles	Dimension mm (in.)	
	A	B
2	2.50 (0.098)	7.50 (0.295)
3	5.00 (0.197)	10.00 (0.394)
4	7.50 (0.295)	12.50 (0.492)
5	10.00 (0.394)	15.00 (0.591)
6	12.50 (0.492)	17.50 (0.689)
7	15.00 (0.591)	20.00 (0.787)
8	17.50 (0.689)	22.50 (0.886)
9	20.00 (0.787)	25.00 (0.984)
10	22.50 (0.886)	27.50 (1.082)
11	25.00 (0.984)	30.00 (1.181)
12	27.50 (1.082)	32.50 (1.280)
13	30.00 (1.181)	35.00 (1.378)
14	32.50 (1.280)	37.50 (1.476)
15	35.00 (1.378)	40.00 (1.575)

RoHS



鈺滿榮企業股份有限公司 ACMELUX CO., LTD.

TEL:886-2-85124595

FAX:886-2-85124322

0.0±0.30	SCALE: 1:1	TITLE: Pitch 2.5 mm 90° DIP Type	PART NO:
0.00±0.20	UNIT: mm	Wire to Board Wafer Connector	APP BY: Hung
0.000±0.1			CHK BY: Cheryl
		MATL: RoHS	DR BY: Amos
		DWG. NO. C122121XXXX	A303